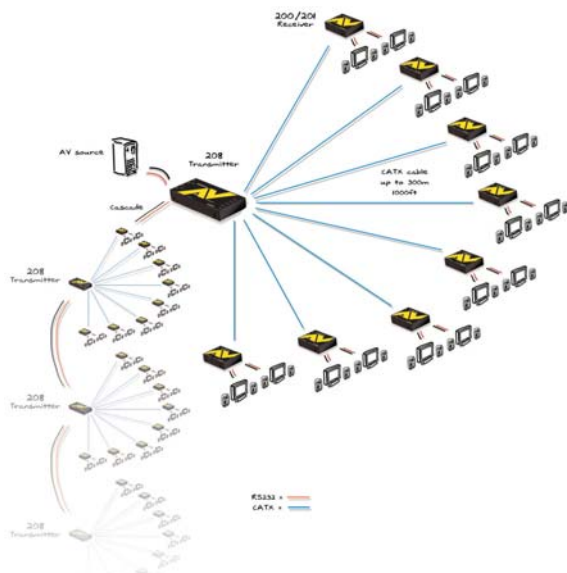




# ADDERLINK AV200 Series

**Distribute crisp, clear and bright VGA, CD quality audio and transparent RS232 from a single PC to 64 screens up to 300m/1000ft from a play out device. For Digital Signage and Media Streaming applications.**

The AdderLink AV200 Series is a range of audiovisual extenders delivering high video resolutions, superb quality audio and RS232 up to 300m using standard CATx cable (x=5,5e,6,7). The innovative design allows for flexible audiovisual distribution, management, control and interaction with the display devices which can be expanded to grow in line with project developments. Consisting of 5 interchangeable units, the AdderLink AV200 Series makes the design of digital signage and narrow casting applications cost effective, flexible and easy to plan.



## AdderLink AV 200T transmitter and AdderLink AV200R

- Sold individually or as a pair (AdderLink AV 200R)
- Local port on transmitter to connect local screen, speakers and serial or for cascading
- AdderLink AV 200R duplicates input from transmitter allowing for 2 video and 2 audio outputs
- Control or manage either screen via RS232

## AdderLink AV 204T and AdderLink 208T transmitters

- Extends a single high-resolution video, high fidelity audio and RS232 signals to 4 (AV204T) or 8 (AV208T) different receivers
- Local port to connect local screen, speakers and serial or to cascade to other AdderLink AV 204T or AV 208T transmitter units

## AdderLink AV 201R receiver unit

- Duplicates input from transmitter allowing for 2 video, 2 audio outputs
- Control or manage either screen via RS232

## FEATURES

### Video performance

Industry leading resolutions of 1600x1200 are achievable at 200m (650ft) and 1280x1024 at 300m (1000ft).

### Display Management via RS232

Included with AV200 transmitters, the Display Management Software gives users control and interaction with display devices over the integrated RS232 ports. This allows for bi-directional and automated communication with individual screens, groups of screens or all screens at the same time.

### Video compensation and brightness control

The AdderLink AV units can apply a high level of signal compensation and brightness correction that ensures the image is crisp, clear and bright over long distances.

### Audio

Digital audio transmission delivers high fidelity; click-less audio for speakers and microphones.

### Integrated DeSkew

The AdderLink AV201R has integrated skew correction with a 300MHz bandwidth, meaning that it is more than powerful enough to counteract the negative effects of the skew.

### Rack options

Both transmitter and receiver units can be used standalone or can be mounted into a 3U chassis, (up to 16 200T, 200R and 201T units or 8 204T and 208T units).



# ADDERLINK AV200 Series



High-resolution video and superb quality audio distribution for Digital Signage and Media Streaming applications.

## TECHNICAL SPECIFICATIONS

<b>Video resolutions</b>	1600x1280 at distances up to 200m (650ft), 1280x1024 at distances up to 300m (1000ft)
<b>Extension distance (x=5,5e,6,7)</b>	Up to 300m (1000ft) using CATx
<b>Optional accessories</b>	ALAV - Series rack mount chassis (part code: ALAVRMK-CHASSIS), rack mount plate for local/remote unit (part codes: ALAV-RMK-FACIA). Adder 4amp power supply and 'squid' cable to power 4 ALAV units (part code ALAV-PSU4)
<b>Audio</b>	Transmitted as digital signals to ensure high fidelity and low noise levels
<b>Connectors</b>	<b>AV200T</b> Video In/Out: HDD15. Audio In/Out: 3.5mm audio jack. RS232 in: DB9F out: DB9M CATx: 1 x RJ45 connector. Power: 2.5mm DC jack <b>AV200R</b> Video Out: 2 x HDD15. Audio Out: 2 x 3.5mm audio jack. RS232 Out: DB9M* CATx: 1 x RJ45 connector. Power: 2.5mm DC jack <b>AV201R</b> Video Out: 2 x HDD15. Audio Out: 2 x 3.5mm audio jack. RS232 Out: DB9M* CATx: 1 x RJ45 connector in. Power: 2.5mm DC jack <b>AV204T</b> Video In/Out: HDD15. Audio In/Out: 3.5mm audio jack. RS232 in: DB9F out: DB9M CATx: 4 x RJ45 connector. Power: 2.5mm DC jack <b>AV208T</b> Video In/Out: HDD15. Audio In/Out: 3.5mm audio jack. RS232 in: DB9F out: DB9M CATx: 8 x RJ45 connector. Power: 2.5mm DC jack
	* AV200R and AV201R units only have single RS232 interface but cable is supplied allowing connection to two screens
<b>Physical</b>	AdderLink AV200T, 200R and 201R units: Metal case (steel), 98mm x 95mm x 25mm AdderLink AV204T, AV208T units: Metal case (steel) 185mm x 95mm x 51mm
<b>Power supply</b>	100-240VAC, 50/60Hz
<b>Operating temperature</b>	0°C to 40°C / 32°F to 104°F
<b>Approvals</b>	CE, FCC

Local, Remote and Global Computer Control



**ADDER CORPORATION**  
29 Water Street, Newburyport, MA 01950 USA  
Tel: +1 888 932 3337 Fax: +1 888 275 1117  
email: usasales@adders.com www.adder.com

**ADDER TECHNOLOGY LIMITED**  
Technology House, Trafalgar Way, Bar Hill, Cambridge, CB23 8SQ UK  
Tel: +44 (0)1954 780044 Fax: +44 (0)1954 780081  
email: sales@adder.com www.adder.com